



INS3

INSPECTION LIGHTING

Paint Inspection • Plastic Inspection • Defect Detection • Finesse Decks • Polish Decks

The INS3 Series is a must have when the finish of any surface counts! This fixture is constructed from 20 gauge cold rolled steel and has a powder coated finish. This inspection fixture is designed to create a well defined lamp image using light and dark contrasts that cause defects in the paint to show for ease of defect detection and repair. This fixture is available as a 2', 4' or 8' fixture and is available in a 1, 2, or 3 lamp option. Lamps included.



1 SERIES	2 LAMP TYPE	3 LAMP QUANTITY	4 LENGTH	5 VOLTAGE	6 CORD
INS3	T8: 17W (2 Ft.) 32W (4 Ft.) 59W (8 Ft.)	1L: 1 Lamp 2L: 2 Lamp 3L: 3 Lamp	2: 2 Ft. 4: 4 Ft. 8: 8 Ft.	V1: 120-277V 50/60Hz 12: 120V 50/60Hz 27: 277V 50/60Hz 34: 347V 50/60Hz	C: 6 Ft. Blunt End Cord CP: 6 Ft. Cord with Twist Lock Plug (Specify voltage 120, 277 or 347)
7 LENS	8 REFLECTOR	9 LAMP**	10 FINISH		
GC: Clear Glass GS: Clear Glass with Stripes AC: Clear Acrylic AS: Clear Acrylic with Stripes PC: Clear Polycarbonate PS: Clear Polycarbonate with Stripes NL: No Lens	SR: Specular WR: White	3: 3500K 4: 4100K 5: 5000K 6: 6500K***	W: White Powder Coat B: Black Powder Coat S: Special powder coat color (Specify "RAL" number INS special suffix location)		

NOTES:

* 4 Ft. Fixture Only

** Specify three digit code for lamps. Example: For a 3-lamp fixture with two 5000K lamps in the outside positions and a 3500K lamp in the center position the code would be "535".

*** 2 Ft. and 4 Ft. Lamps Only

LISTINGS

UL 1598
CSA 22.2 No. 250.0
40°C ambient rating

FEATURES

20 Ga. steel with powder coated finish

LENS

Clear tempered glass
Clear tempered glass with stripes
Clear acrylic
Clear acrylic with stripes
Clear polycarbonate
Clear polycarbonate with stripes

ELECTRICAL

120 - 277V
347V

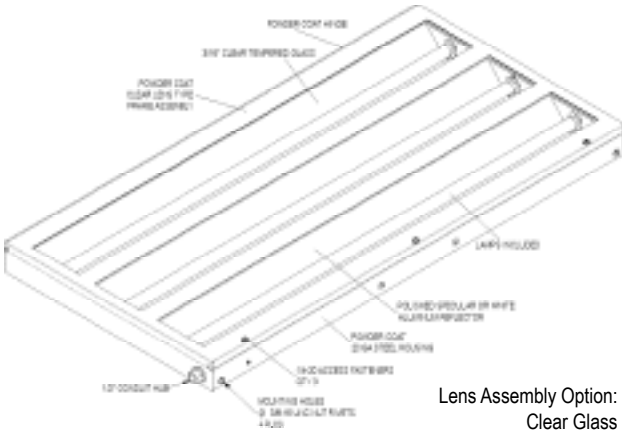
OPTIONS

Stationary mount kit (PN: 10315)
Pivot mount kit (PN: 10314)
Flush stationary mount kit (PN: 10387)
6' cord with blunt end
6' cord with twist lock plug
(must specify 120, 277 or 347 Volts)

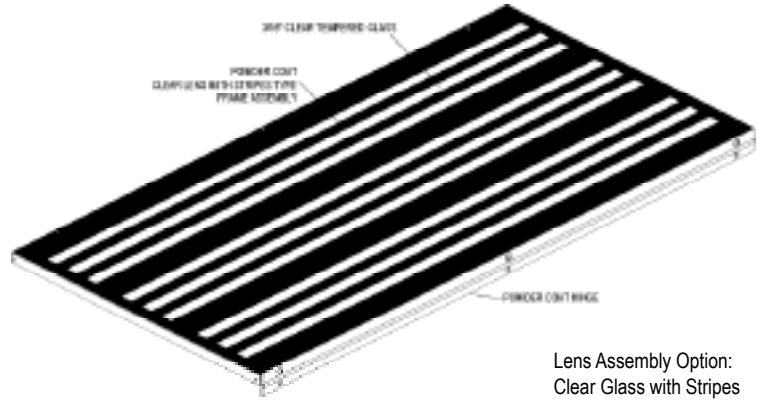
INS3

INSPECTION LIGHTING

Paint Inspection • Plastic Inspection • Defect Detection • Finesse Decks • Polish Decks



Lens Assembly Option:
Clear Glass



Lens Assembly Option:
Clear Glass with Stripes

DIMENSIONS

DIMENSIONS			
TYPE	A	B	C
2 Ft. 1 L	26"	9 7/8"	23 3/4"
2 Ft. 2 L	26"	17 7/16"	23 3/4"
2 Ft. 3 L	26"	25"	23 3/4"
4 Ft. 1 L	50"	9 7/8"	47 3/4"
4 Ft. 2 L	50"	17 7/16"	47 3/4"
4 Ft. 3 L	50"	25"	47 3/4"
8 Ft. 1 L	96"	9 7/8"	70"
8 Ft. 2 L	96"	17 7/16"	70"
8 Ft. 3 L	96"	25"	70"

