



# LE104

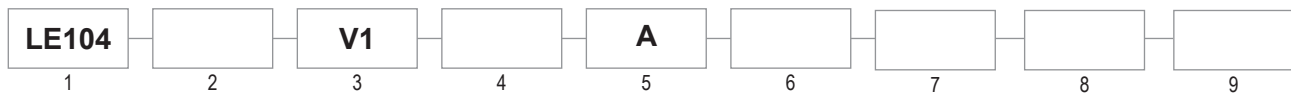
## ORDINARY LOCATION LED LIGHTING

General Industrial • Task • Warehouses

The LE104 Series is a line of 4ft LED Open Industrial luminaires. It can be used in dry or damp ordinary locations making it ideal for locations such as warehouses, general industrial areas or other locations where task/area lighting is needed. These luminaires can be mounted vertically, horizontally, surface mounted, or hung.



2 Row with Angle Mount Option



1 SERIES	2 SOURCE	3 VOLTAGE	4 CCT	5 OPTIC	6 DIMMING	7 MOUNTING	8 OPTIONS	9 CORD OPTIONS
LE104	43: 43W (1 Row) 55: 55W (1 Row) 85: 85W (2 Row) 110: 110W (2 Row) 130: 130W (3 Row) 160: 160W (3 Row)	V1: 120-277VAC (50/60Hz)	3: 3,500K 4: 4,000K 5: 5,000K	A: Diffused Acrylic	Blank: None D1: 0-10V D2: DALI	SM*: Adjustable Surface Mount AM: Angle Mount  *SM includes 0°, 30°, 45°, 60° angles	SP: Surge Protection EM: Battery/Driver Backup (90min.)	WH: Wire Whip (10ft) CP: 6 Ft. Blunt End Cord CP1: 6 Ft. Cord w/120V Twist Lock Plug CP2: 6 Ft. Cord w/277V Twist Lock Plug CP3: 6 Ft. Cord w/120V Straight Blade Plug

### CERTIFICATIONS

UL 1598 (Dry or Damp Locations)  
CSA 22.2 No. 250.0  
45°C Ambient Rating

### CONSTRUCTION

Heavy-duty, open industrial fixture  
Sturdy 20 gauge steel  
4 ft. Length  
Durable, white powder coat finish

### FEATURES

Programmable Driver  
0-10V or DALI  
Reduced installation time  
CRI >80  
Emergency/Battery backup option available

\*These products are Manufactured in the USA with both domestic and imported components; not all fixture configurations are compliant. Contact LDPI Sales with specific part number and requirement - Build America, Buy America, TAA or any other federal procurement act for compliance confirmation. Compliance confirmation can take up to 3 days.



3 Row with Surface Mount Option

Source	Voltage (VAC) 50/60Hz	Input Current (A)	Wattage (W)	CCT	Lumen Output* (Lm)
					Diffused Acrylic Optic
43 (1 Row)	120-277	0.36-0.16	43	3,500K	5120
				4,000K	5300
				5,000K	5380
55 (1 Row)		0.46-0.20	55	3,500K	6240
				4,000K	6470
				5,000K	6560
85 (2 Row)		0.71-0.31	85	3,500K	9920
				4,000K	10280
				5,000K	10430
110 (2 Row)	0.92-0.40	110	3,500K	12430	
			4,000K	12880	
			5,000K	13060	
130 (3 Row)	1.08-0.47	130	3,500K	15680	
			4,000K	16250	
			5,000K	16480	
160 (3 Row)	1.33-0.58	160	3,500K	19390	
			4,000K	20100	
			5,000K	20380	
Emergency Mode			20	3,500K	2340
				4,000K	2430
				5,000K	2460

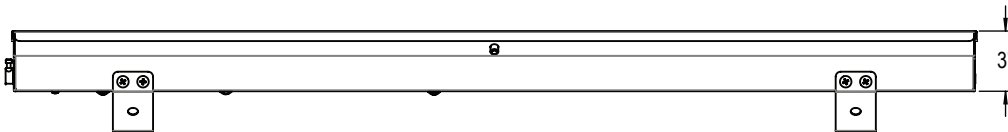
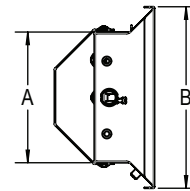
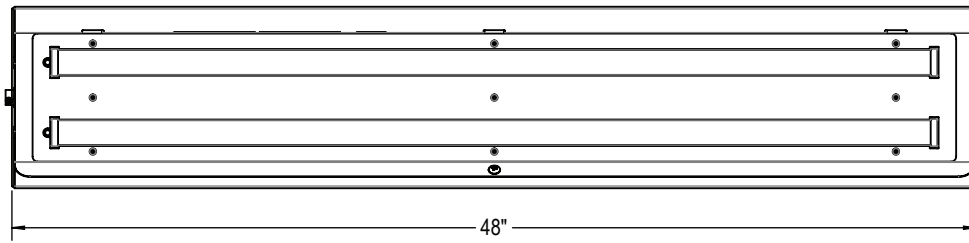
# LE104

## ORDINARY LOCATION LED LIGHTING

General Industrial • Task • Warehouses

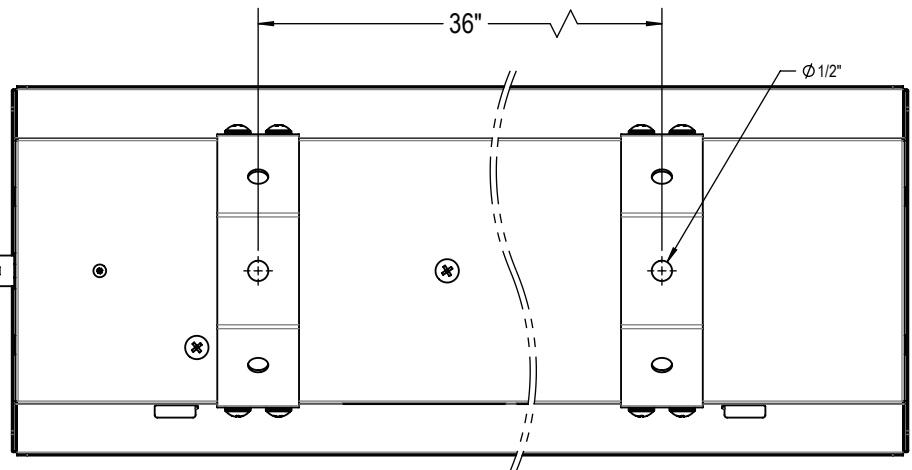
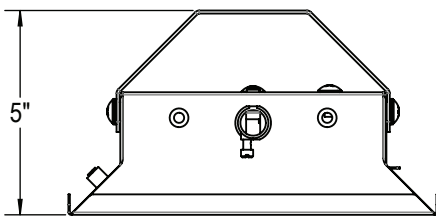


### STANDARD DIMENSIONS



Rows	Dimensions*(in./mm)	
	A	B
1 & 2	6.5" (165mm)	9" (229mm)
3	9.9" (252mm)	12.5" (317mm)

### LE104 ANGLE MOUNT



### LE104 ADJUSTABLE SURFACE MOUNT

