

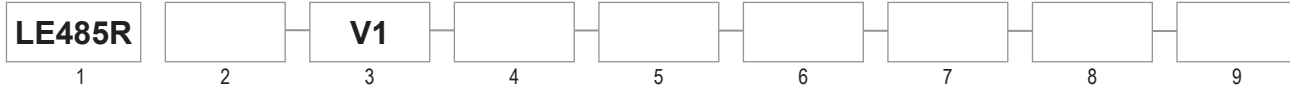


# LE485R

## LED BOOTH LIGHTING - REAR ACCESS

Paint and Powder Booths • Blast Booths • Clean Rooms • Prep • Sanding

The LE485R Series is a hinged, **REAR ACCESS**, recessed mount, LED paint booth luminaire. The LE485R is made of a combination of 20 gauge cold rolled steel and .090 aluminum. This LED fixture is available in 4 Ft. lengths with 1, 2, or 3 rows of LEDs; replacing your standard 2, 4, and 6 lamp fluorescent fixture. This fixture can be used with or without optics, has dimming capabilities, and is available with an EM option.



1 SERIES	2 SOURCE	3 VOLTAGE	4 OPTIC	5 DIMMING	6 CCT	7 WIRE WHIP*
LE485R	43: 43W (1 Row) 62: 62W (1 ROW) 62-2R: 62W (2 Row) 100: 100W (2 Row) 120: 120W (2 Row) 140: 140W (3 Row) 180: 180W (3 Row)	V1: 120-277VAC (50/60Hz)	Blank: None A: Diffused Acrylic	Blank: None D1: 0-10V D2: DALI	3: 3,500K 4: 4,000K 5: 5,000K	Blank:None WH: Wire Whip (10ft.)  *3-wire wire whip standard. Total number of leads dependent on options ordered.

8 OPTIONS
SP: Surge Protector (430 joules) EM: Battery/Driver Backup (90min.)

### CERTIFICATIONS

UL844 / CSA-C22.2 No.137 (Hazardous)  
 CI D2, Grps A,B,C,D  
 CII D2, Grps F,G  
 Paint Spray Listed  
 T Code: CI D2, CII D2=T3C  
 UL1598 / CSA-C22.2 No.250 (Wet/Damp)  
 Lumen Maintenance (L70) >54,000 hrs. (reported)  
 CRI >80  
 -25°C to 55°C Ambient

### CONSTRUCTION

20 gauge white powder coated steel housing  
 Hinged, rear access panel  
 Silicone free gaskets  
 Acrylic diffused lens (optional)  
 4 Ft. length (nominal)  
 Clear tempered glass panel  
 1/2" NPT Hub(s)  
 Weights: Min: 47lbs. / Max: 71lbs.

### ELECTRICAL

120-277VAC  
 10Ft. 3-wire whip (standard)  
 6kV Built-in driver surge protection

### FEATURES

0-10V Dimming or DALI  
 Recess mount - Rear access  
 Withstands up to 71°C bake cycle for 90 minutes with fixture  
 power interlock off  
 Emergency/Battery backup option available  
 Fits the same opening as Slim Light Series  
 5 year warranty

### PERFORMANCE

Source	Voltage (VAC) 50/60Hz	Input Current (A)	Wattage (W)	CCT	Lumen Output* (Lm)	
					No Optic	Diffused Acrylic Optic
43 (1 Row)		0.36-0.16	43	3,500K	5410	4410
				4,000K	5500	4500
				5,000K	5600	4580
62 (1 Row)		0.53-0.23	63	3,500K	7660	6140
				4,000K	7820	6270
				5,000K	7900	6330
100 (2 Rows)		0.83-0.36	100	3,500K	12690	10050
				4,000K	12950	10360
				5,000K	13080	10460
120 (2 Rows)		1.00-0.43	120	3,500K	15370	12360
				4,000K	15690	12610
				5,000K	15850	12740
140 (3 Rows)		1.17-0.51	140	3,500K	18670	14940
				4,000K	19060	15250
				5,000K	19250	15400
180 (3 Rows)		1.50-0.65	180	3,500K	23000	18630
				4,000K	23470	19020
				5,000K	23710	19210
Emergency Mode			10.4	3,500K	2,500	2,020
				4,000K	2,550	2,060
				5,000K	2,590	2,090

\*These products are Manufactured in the USA with both domestic and imported components; not all fixture configurations are compliant. Contact LDPI Sales with specific part number and requirement - Build America, Buy America, TAA or any other federal procurement act for compliance confirmation. Compliance confirmation can take up to 3 days.

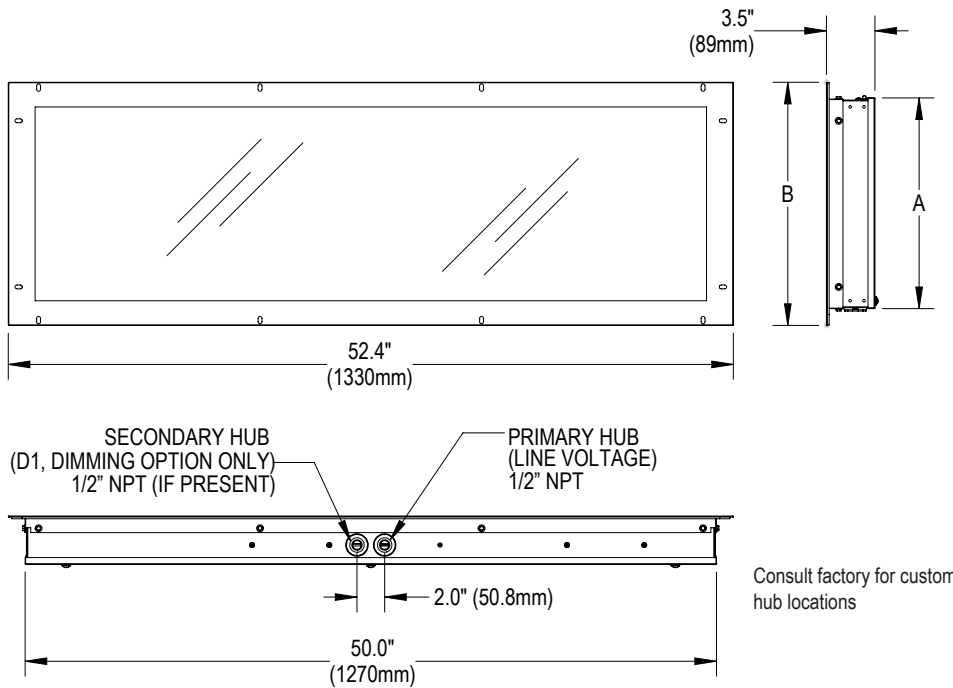
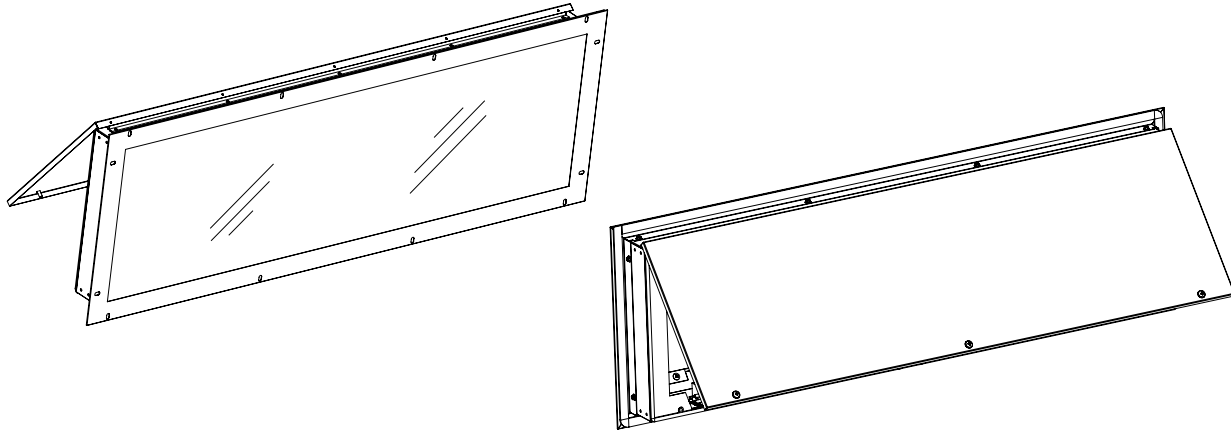
# LE485R

## LED BOOTH LIGHTING - REAR ACCESS

Paint and Powder Booths • Blast Booths • Clean Rooms • Prep • Sanding

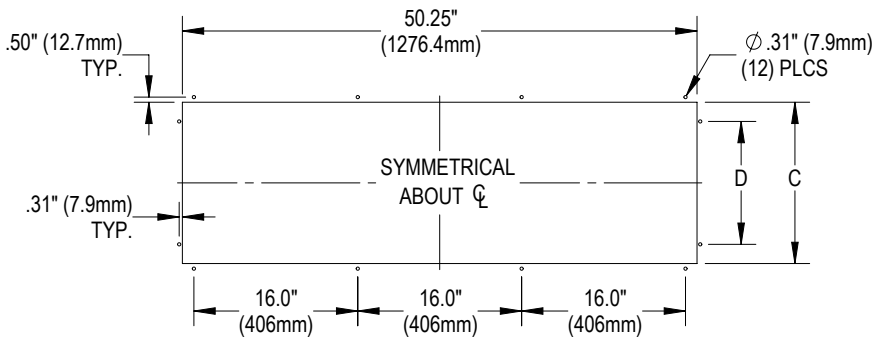


### DIMENSIONS



Source	Dimensions* (in./mm)	
	A	B
43 (1 Row)	10.0" / 254	13.0" / 330
62 (1 Row)		
62W (2 Row)	15.0" / 381	18.0" / 457
100 (2 Rows)		
120 (2 Rows)		
140 (3 Rows)	20.0" / 508	23.0" / 584
180 (3 Rows)		
* Nominal dimensions		

### PANEL CUTOUT DIMENSIONS



Source	Dimensions* (in./mm)	
	C	D
43 (1 Row)	10.75" / 273	7.0" / 178
62 (1 Row)		
62W (2 Row)	15.75" / 400	12.0" / 305
100 (2 Rows)		
120 (2 Rows)		
140 (3 Rows)	20.75" / 527	17.0" / 432
180 (3 Rows)		
* Actual dimensions		