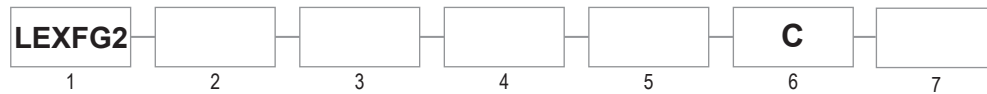


The LEXFG2 is designed and listed for **CI D1** explosion, hazardous, marine and wet locations. This product is ideal for retrofitting High Pressure Sodium (HPS) and Metal Halide (MH) fixtures for increased energy savings and maintenance.



1 SERIES	2 SOURCE	3 VOLTAGE	4 CCT	5 OPTICS / BEAM	6 LENS	7 COLOR
LEXFG2	L1: 80W L2: 100W L3: 120W L4: 150W	V1: 120-277VAC (50/60Hz) V2: 347-480VAC (50/60Hz)	3: 3,000K 4: 4,000K 5: 5,000K	V25: 25° V60: 60° V120: 120°	C: Clear	PB: Black
Product comes standard with: (3) 3/4" NPT Hubs: pendant and two sides hubs, aluminum yoke bracket pre-installed 10Kv Surge Protector built in 3 Ft. 3-Wire whip, factory installed						

### CERTIFICATIONS

UL844 / CSA C22.2 No.137 (Hazardous)  
 CI D1, Grps C,D  
 CI D2, Grps A,B,C,D  
 CII D2, Grps F,G  
 CIII  
 Simultaneous Presence  
 Paint Spray Listed  
 T-Codes: CI D1=T6 / CI D2=T4A / CII D2=T4A  
 UL1598 (Wet/Damp)  
 UL1598A (Marine Outside)  
 DLC (inquire for specific part numbers)  
 Lumen Maintenance (L70) >50,000 hrs. (reported)  
 CRI >70  
 -40°C to 60°C Ambient  
 RH Ambient Humidity 5% to 95%  
 NEMA 3 and NEMA 4X  
 IP66  
 FCC

### CONSTRUCTION

Copper-free aluminum housing and yoke  
 Tempered glass lens  
 Powder coat black  
 (3) 3/4" NPT Hubs  
 All exposed fasteners are stainless steel  
 Weight: 34 lbs.

### ELECTRICAL

120-277 / 347-480VAC  
 10Kv surge protector built in - Standard  
 3Ft. 3-Wire whip standard, factory installed

### FEATURES

High Lumen output up to 150 Lm/W  
 0-10V Dimming Capability  
 5G Vibration Rating  
 Thermal Shock and impact resistant lens  
 Mounting: Wall (Flood), Stanchion, Ceiling, Pendant Hook, and Pendant  
 Light weight compact design  
 5 Year Warranty

### PERFORMANCE

Source	Voltage (VAC) 50/60Hz	Input Current (A)	Wattage (W)	CCT	Lumens* (Lm)
L1	120-277	.67 - .29	80	3,000K	11,830
	347-480	.23 - .17		4,000K / 5,000K	12,320
L2	120-277	.83 - .36	100	3,000K	13,590
	347-480	.29 - .21		4,000K / 5,000K	14,160
L3	120-277	1.00 - .43	120	3,000K	16,970
	347-480	.34 - .25		4,000K / 5,000K	17,680
L4	120-277	1.25 - .54	150	3,000K	20,470
	347-480	.43 - .31		4,000K / 5,000K	21,230

# LEXFG2

## EXPLOSION PROOF

Chemical Processing • Grain Processing • Metals & Mining • Oil / Gas • Water Treatment



### ACCESSORIES - (Field Installed, Order Separately)

Part Number	Description	
WG01	Wire Guard Stainless Steel 304 (not suitable for use in paint spray applications)	
SN01-BK	Slip Fitter Mount Bracket (Powder Coated Black) Fits 2 3/8" (60mm) Outside Diameter Stanchion	
PH01	Pendant Hook w/ 3/4" NPT Stainless Steel 316 33mm / 1.3in Eye Diameter	



Slip Fitter Mount Bracket\*  
(#SN01-BK ordered separately)



Pendant\*

\*Conduit and yoke shown for illustration purposes only

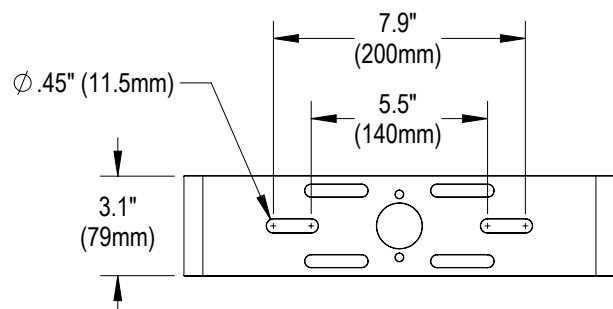
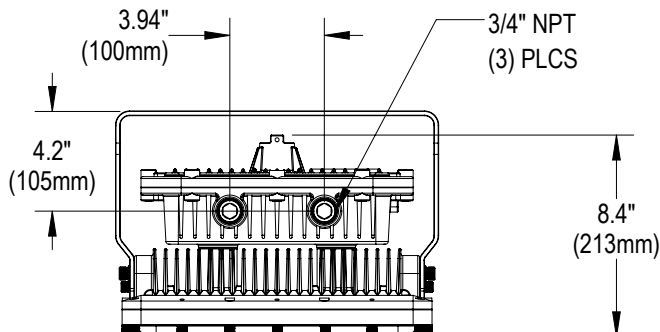
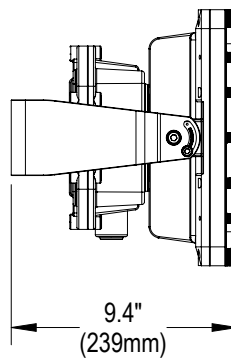
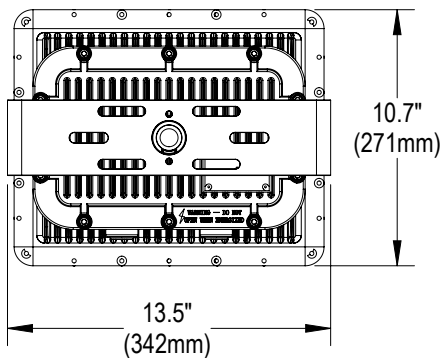


Ceiling (shown with wire guard)  
(#WG01 ordered separately)



Wall / Flood

### DIMENSIONS



1-800-854-0021 www.ldpi-inc.com  
LDPI® is a registered trademark of LDPI, Inc. © LDPI, Inc.

Product design and specifications subject to change without notice.  
Visit [www.ldpi-inc.com](http://www.ldpi-inc.com) for the most current version and photometric data. v.10.23.24