



LE158H

ORDINARY LOCATION - HANGING MOUNT

Industrial • Booth Lighting • Task Lighting • Commercial & Institutional Facilities

The LE158H is listed for ordinary locations where horizontal orientation of lighting is required. This product is ideal for task, and paint booth (behind the glass) applications. Fixture size and output is determined by number of LED light bars, options range from 1 to 4. Each LED light bar is individually adjustable allowing for optimal illumination of any task.

This fixture utilizes an easy mounting system. A "mounting bridge" is provided and is to be attached to the end user's structure. The fixture is then attached to the mounting bridge using the rigid hooks on the top of the fixture. A locking plate is then attached securing the fixture in place.



| 1 SERIES | 2 SOURCE* | 3 VOLTAGE | 4 DIMMING* | 5 CCT | 6 LENS | 7 LENGTH | 8 ROWS |
|------------------------------------------------------------------------------------------------------------------------------------------------------------------------------------------------------------------------------------------------------|------------------------------------------------------|--------------------------------------------------------------------------------------------------------------------------------------------------------------------------------------------|-----------------------------------------------------------------------------------------------------|-------------------------------------|----------------------------------------------------------------------------------------------------------------------|----------------------------------------------|----------------------------------------------|
| LE158H | S: Standard H: High *See Performance Table | V1: 120-277VAC (50/60Hz) | Blank: None D1: 0-10V (See Table A) D2: DALI (See Table B) *Cabling Ordered Separately | 3: 3,000K 4: 4,000K 5: 5,000K | D: Diffused | 2: 2 Ft. 4: 4 Ft. 6: 6 Ft. 8: 8 Ft. | 1: 1 Row 2: 2 Row 3: 3 Row 4: 4 Row |
| 9 THROUGH-FEED (TF) | | 10 POWER CORD (Not available w/ Through-feed) | | | 11 OPTIONS | | |
| Blank: No Through-Feed Wiring TF: Through-Feed Wiring (Requires H or T connector) *See through feed cable requirements * All fixtures containing TF are equipped with a 12in quick connect cable, cable type is dependent on dimming | | Blank: No cord. Field wiring required. CP0: Cord 6 Ft. / Plug: None CP1: Cord 6 Ft. / Plug: NEMA L5-15P CP2: Cord 6 Ft. / Plug: NEMA L7-15P CP3: Cord 6 Ft. / Plug: NEMA 5-15P | | | EM: Battery/Driver Backup (90Min.) UL924 SP: 10Kv Surge Protector WC: Wireless Control OC: Occupancy Sensor | | |
| Note: - Quantity of power cords is determined by through-feed | | | | | | | |

CERTIFICATIONS

UL1598 / CSA 22.2 No.250.0 (Ordinary)
Lumen Maintenance (L70): >60,000 hrs. (reported)
CRI >80
-40°C to 40°C Ambient Rating

CONSTRUCTION

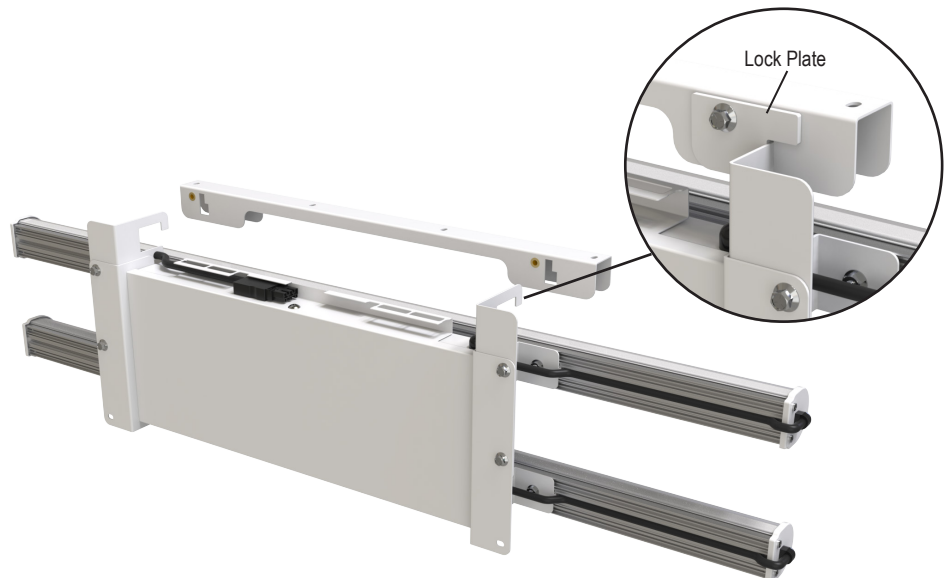
Combination of steel and aluminum
Powder coat white finish (standard)
Diffused acrylic impact resistant lens
Weights: See dimensions table

ELECTRICAL

120-277VAC
Power cords: 16/3, 600V
0-10V or DALI Dimming available

FEATURES

Sleek
Hanging Mount
(Min. Clearance of 2" Required)
Adjustable module angle (±45°)



LE158H

ORDINARY LOCATION - HANGING MOUNT

Industrial • Booth Lighting • Task Lighting • Commercial & Institutional Facilities



ELECTRICAL PERFORMANCE

| Row | Source | 2 Ft. Fixture | | 4 Ft. Fixture | | 6 Ft. Fixture | | 8 Ft. Fixture | |
|-------|--------|---------------|------------------------------|---------------|------------------------------|---------------|------------------------------|---------------|------------------------------|
| | | Watts (W) | Input Current 120-277VAC (A) | Watts (W) | Input Current 120-277VAC (A) | Watts (W) | Input Current 120-277VAC (A) | Watts (W) | Input Current 120-277VAC (A) |
| 1 Row | S | 21 | 0.18 - 0.08 | 41 | 0.35 - 0.15 | 62 | 0.53 - 0.23 | 82 | 0.70 - 0.30 |
| | H | 32 | 0.27 - 0.12 | 63 | 0.53 - 0.23 | 95 | 0.80 - 0.35 | 126 | 1.07 - 0.46 |
| 2 Row | S | 41 | 0.34 - 0.15 | 82 | 0.68 - 0.30 | 123 | 1.03 - 0.44 | 164 | 1.37 - 0.59 |
| | H | 63 | 0.53 - 0.23 | 126 | 1.05 - 0.45 | 189 | 1.58 - 0.68 | 252 | 2.10 - 0.91 |
| 3 Row | S | 62 | 0.52 - 0.22 | 123 | 1.03 - 0.45 | 185 | 1.55 - 0.67 | 246 | 2.07 - 0.90 |
| | H | 95 | 0.79 - 0.34 | 189 | 1.58 - 0.69 | 284 | 2.38 - 1.03 | 378 | 3.17 - 1.37 |
| 4 Row | S | 82 | 0.68 - 0.30 | 164 | 1.37 - 0.59 | 246 | 2.05 - 0.89 | 328 | 2.73 - 1.18 |
| | H | 126 | 1.05 - 0.45 | 252 | 2.10 - 0.91 | 378 | 3.15 - 1.36 | 504 | 4.20 - 1.82 |

LUMEN PERFORMANCE

| Row | Source | CCT | Lumen Values (Diffused Lens) | | | |
|-------|--------|--------|------------------------------|-------|-------|-------|
| | | | 2Ft. | 4Ft. | 6Ft. | 8Ft. |
| 1 Row | S | 3,000K | 2580 | 5150 | 7730 | 10300 |
| | | 4,000K | 2630 | 5260 | 7890 | 10510 |
| | | 5,000K | 2660 | 5310 | 7970 | 10620 |
| | H | 3,000K | 3720 | 7440 | 11170 | 14890 |
| | | 4,000K | 3800 | 7600 | 11400 | 15200 |
| | | 5,000K | 3840 | 7680 | 11510 | 15350 |
| 2 Row | S | 3,000K | 5150 | 10300 | 15450 | 20600 |
| | | 4,000K | 5260 | 10510 | 15770 | 21030 |
| | | 5,000K | 5310 | 10620 | 15930 | 21240 |
| | H | 3,000K | 7440 | 14890 | 22330 | 29780 |
| | | 4,000K | 7600 | 15200 | 22790 | 30390 |
| | | 5,000K | 7680 | 15350 | 23030 | 30700 |
| 3 Row | S | 3,000K | 7730 | 15450 | 23180 | 30900 |
| | | 4,000K | 7890 | 15770 | 23660 | 31540 |
| | | 5,000K | 7970 | 15930 | 23900 | 31860 |
| | H | 3,000K | 11170 | 22330 | 33500 | 44670 |
| | | 4,000K | 11400 | 22790 | 34190 | 45590 |
| | | 5,000K | 11510 | 23030 | 34540 | 46050 |
| 4 Row | S | 3,000K | 10300 | 20600 | 30900 | 41210 |
| | | 4,000K | 10510 | 21030 | 31540 | 42060 |
| | | 5,000K | 10620 | 21240 | 31860 | 42480 |
| | H | 3,000K | 14890 | 29780 | 44670 | 59560 |
| | | 4,000K | 15200 | 30390 | 45590 | 60790 |
| | | 5,000K | 15350 | 30700 | 46050 | 61400 |



4ft. - 4 Row

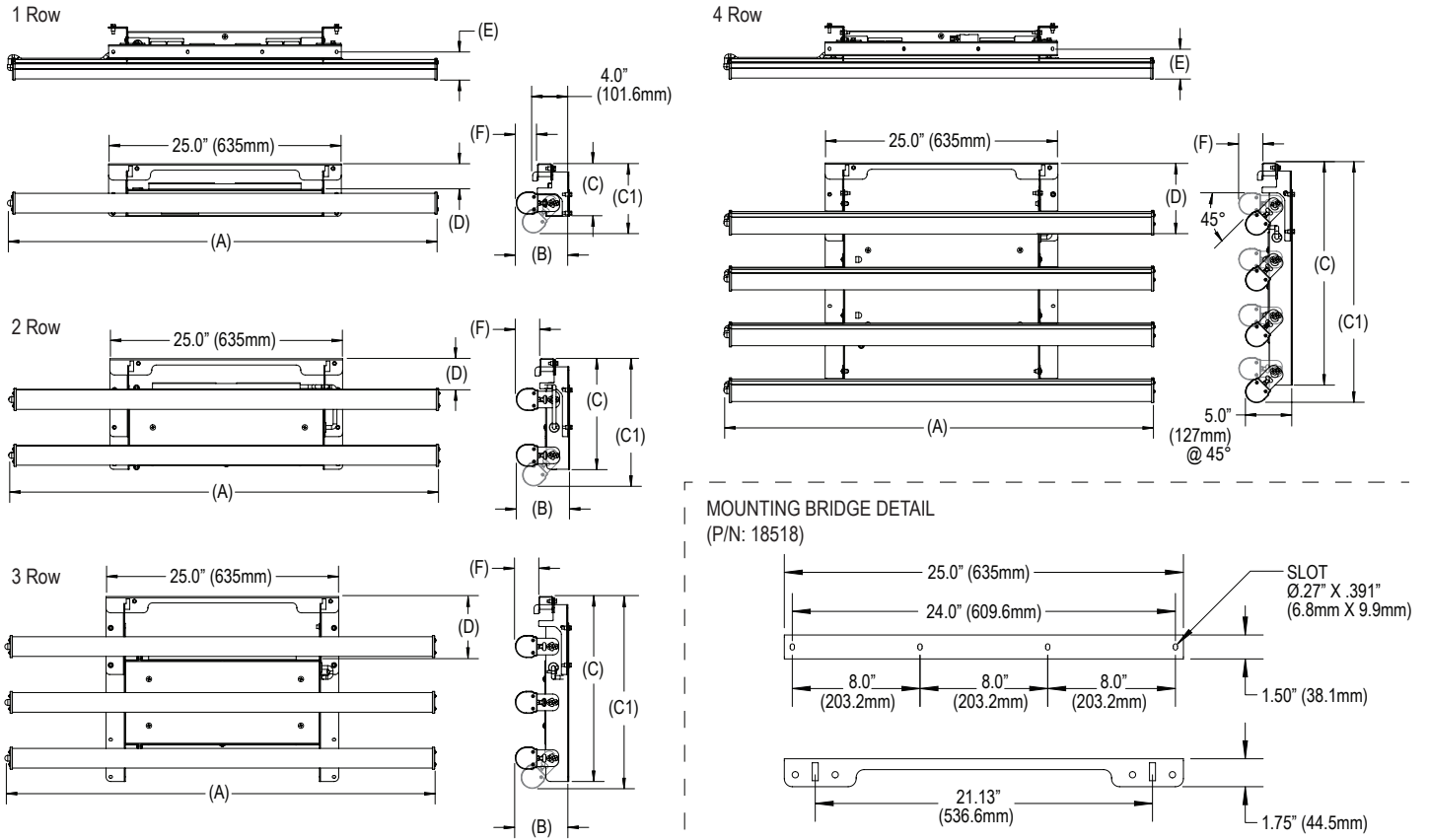


LE158H

ORDINARY LOCATION - HANGING MOUNT

Industrial • Booth Lighting • Task Lighting • Commercial & Institutional Facilities

DIMENSIONS



| Fixture | # of rows | Nominal Dimensions in. (mm) | | | | | | | Weight (lbs.)* |
|---------|-----------|-----------------------------|----------------|----------------|----------------|---------------|------------------|------------------|----------------|
| | | A | B | C | C1 (45°) | D | E | F | |
| 2 Ft. | 1 | 23.19" (589) | 5.75" (146) | 6.5" (165.1) | 7.75" (196.9) | 2.75" (69.9) | 3.032" (77) | 2.282" (58) | 9 |
| | 2 | | | 12.25" (311.1) | 13.75" (349.3) | 3.75" (95.3) | | | 14 |
| | 3 | | | 19.88" (504.8) | 20.75" (527.1) | 6.88" (174.6) | | | 19 |
| | 4 | | | 23.88" (606.4) | 24.75" (628.7) | 7.75" (196.9) | | | 23 |
| 4 Ft. | 1 | 46.38" (1,178) | 5.75" (146) | 6.5" (165.1) | 7.75" (196.9) | 2.75" (69.9) | 3.032" (77) | 2.282" (58) | 14 |
| | 2 | | | 12.25" (311.1) | 13.75" (349.3) | 3.75" (95.3) | | | 21 |
| | 3 | | | 19.88" (504.8) | 20.75" (527.1) | 6.88" (174.6) | | | 28 |
| | 4 | | | 23.88" (606.4) | 24.75" (628.7) | 7.75" (196.9) | | | 35 |
| 6 Ft. | 1 | 69.56" (1,767) | 6.0" (152) | 9.0" (228.6) | 10.88" (276.2) | 2.75" (69.9) | 2.706" (68.7) | 1.956" (49.7) | 21 |
| | 2 | | | 15.5" (393.7) | 16.88" (428.6) | 3.75" (95.3) | | | 32 |
| | 3 | | | 20.5" (520.7) | 21.88" (555.6) | 6.88" (174.6) | | | 42 |
| | 4 | | | 24.5" (622.3) | 25.88" (657.2) | 7.75" (196.9) | | | 53 |
| 8 Ft. | 1 | 91.0" (2,311) | 6.0" (152) | 9.0" (228.6) | 10.88" (276.2) | 2.75" (69.9) | 2.706" (68.7) | 1.956" (49.7) | 30 |
| | 2 | | | 15.5" (393.7) | 16.88" (428.6) | 3.75" (95.3) | | | 45 |
| | 3 | | | 20.5" (520.7) | 21.88" (555.6) | 6.88" (174.6) | | | 60 |
| | 4 | | | 24.5" (622.3) | 25.88" (657.2) | 7.75" (196.9) | | | 74 |

Note: "D" column dimension is the distance from mounting surface to the driver housing side. Reference for cable management spacing.

*approximate



LE158H


ORDINARY LOCATION - HANGING MOUNT


Industrial • Booth Lighting • Task Lighting • Commercial & Institutional Facilities




POWER / CABLING (NO CORD "BLANK")

Note: Mounting hardware not shown for illustration purposes

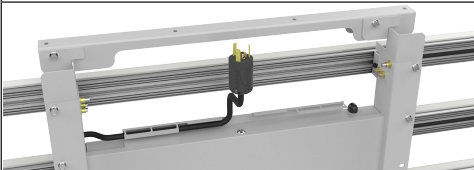


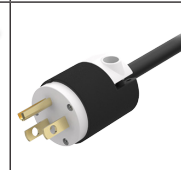
| |
|-----------------------------------------------------------------------------------|
| No Dimming / No Through-Feed |
|  |
| 1/2" MC Set screw connector No Cord / Field Wiring Required |

| |
|-----------------------------------------------------------------------------------|
| D1 (0-10V Dimming) |
|  |
| Field Wiring Required. Dimming cables ordered separately |

POWER / CABLING (CPO CORD OPTION)

| |
|------------------------------------------------------------------------------------|
| No Dimming / No Through-Feed |
|  |
| 6 Ft. Cord (16/3), Blunt end |

POWER / CABLING (CP1 TO CP3 CORD / PLUG OPTIONS)

| | | | |
|-----------------------------------------------------------------------------------|-----------------------------------------------------------------------------------|-----------------------------------------------------------------------------------|------------------------------------------------------------------------------------|
| CP1 - CP4 Cord | Cord: CP1 | Cord: CP2 | Cord: CP3 |
|  |  |  |  |
| 6 Ft. Cord (16/3) with CP1 to CP3 specified plug | NEMA L5-15 | NEMA L7-15 | NEMA 5-15 |

THROUGH FEED CABLE REQUIREMENTS

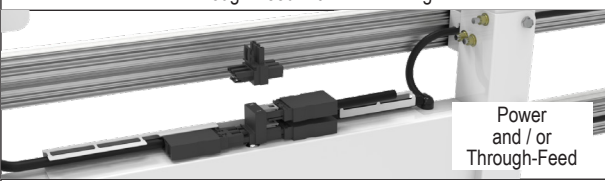
Power cables (to power the first fixture in the series when through feed is used)

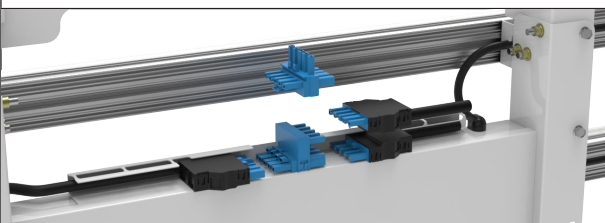
| Mfg # | Cord # | Description |
|-------|--------|------------------------------------|
| 17055 | CP1 | 6 Ft. Cable, 14/3, 120V NEMA L5-15 |
| 17103 | CP2 | 6 Ft. Cable, 14/3, 277V NEMA L7-15 |
| 17104 | CP3 | 6 Ft. Cable, 14/3, 120V NEMA 5-15 |

Power / Cabling Instructions for Through-Feed

Through-Feed cables are required to link fixtures. Each series of fixtures will require a power source (cord). Number of fixtures that can be linked is 4. All cables and connectors ordered separately. Consult sales for more information.

| Through-Feed Cables (3-Pole) | | Through-Feed Cables DALI | |
|------------------------------|-------------|--------------------------|-------------|
| Part # | Length | Part # | Length |
| 17034-10 | 10 Ft. | 15975 | 10 Ft. |
| 17034-15 | 15 Ft. | 16281 | 15 Ft. |
| 17034-25 | 25 Ft. | 15976 | 25 Ft. |
| 17034-50 | 50 Ft. | 15977 | 50 Ft. |
| 17036 | H Connector | 15978 | 100 Ft. |
| 17305 | T Connector | 16099 | H Connector |
| | | 16217 | T Connector |

| |
|---------------------------------------------------------------------------------------------------|
| Through-Feed with D1 Dimming |
|  |
| Power and / or Through-Feed |
| 12 in. Cord (16/3) with 3-Pole Plug H (17036) or T (17305) Connector required for each fixture |

| |
|---------------------------------------------------------------------------------------------------------------------------------------|
| DALI |
|  |
| 12 in. Cord - DALI cabling contains power and dimming in a single cable H (16099) or T (16217) Connector required for each fixture |

| 0-10V Dimming Cables | |
|----------------------|-----------------|
| Part # | Length |
| 16350 | 9.8 Ft. (3 M) |
| 16349 | 16.4 Ft. (5 M) |
| 14772 | 32.8 Ft. (10 M) |
| 16348 | 49.2 Ft. (15 M) |