



INSTALLATION AND ASSEMBLY INSTRUCTIONS

376 WET / DAMP FLUORESCENT LIGHTING FIXTURES

WARNING!

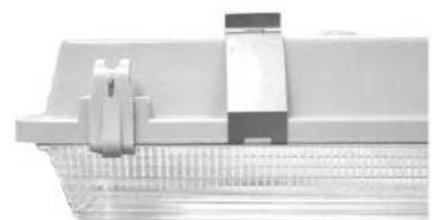
1. TO PREVENT THE RISK OF ELECTRICAL SHOCK DEACTIVATE/DISCONNECT THE POWER SUPPLY BEFORE INSTALLING OR RELAMPING FIXTURE.
2. THIS FIXTURE SHOULD BE INSTALLED BY QUALIFIED TECHNICIANS IN STRICT ACCORDANCE WITH THE NATIONAL ELECTRICAL CODE AND ANY LOCAL REQUIREMENTS.
3. MIN 90° C SUPPLY CONDUCTORS

INSTALLATION

1. BEFORE INSTALLING, MAKE SURE THAT THE CIRCUIT IS DEACTIVATED.
2. THIS FIXTURE REQUIRES SOME FINAL ASSEMBLY, SEE ASSEMBLY LAYOUT.
3. THE BALLAST IN THIS FIXTURE IS DESIGNED TO OPERATE ON GROUNDED NEUTRAL SYSTEMS ONLY.



LDPI, Inc.
Eau Claire, WI 54703
TOLL FREE
1-800-854-0021
Web: www.ldpi-inc.com
E-mail: sales@ldpi-inc.com

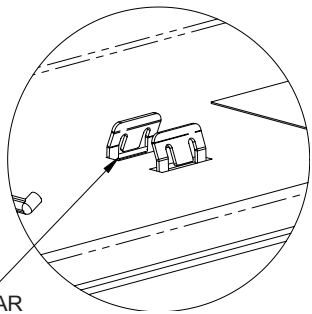
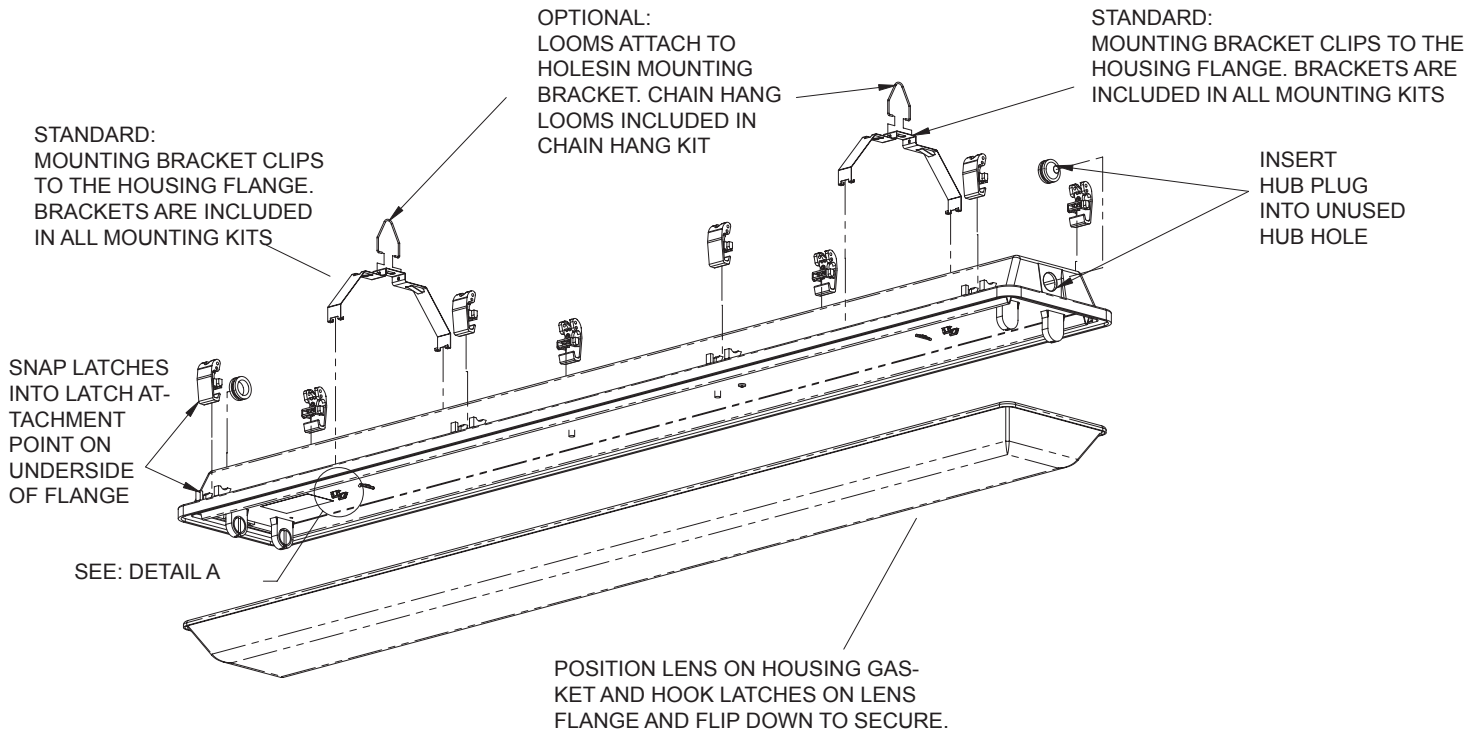


MOUNTING BRACKET IN PLACE

TYPICAL WET / DAMP INSTALLATIONS

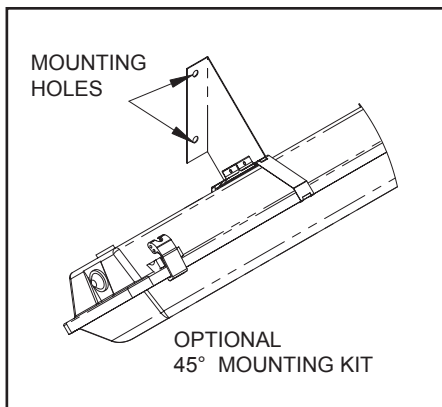
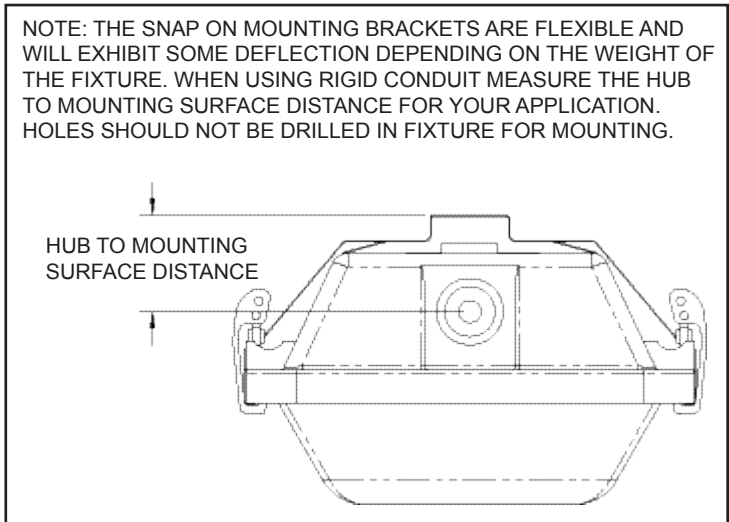
NOTE: ASSEMBLY IS SIMILAR FOR ALL 376 SERIES FIXTURES.

NUMBER OF LATCHES WILL VARY DEPENDING ON FIXTURE LENGTH. BOX CONTENTS SHOULD INCLUDE ONE LATCH FOR EACH ATTACHMENT POINT ON THE HOUSING.



TO RELEASE GEAR TRAY FOR WIRING PINCH CLIP TOGETHER

DETAIL A
SCALE 1 : 1



LDPI, Inc.
Eau Claire, WI 54703
TOLL FREE
1-800-854-0021
Web: www.ldpi-inc.com
E-mail: sales@ldpi-inc.com